

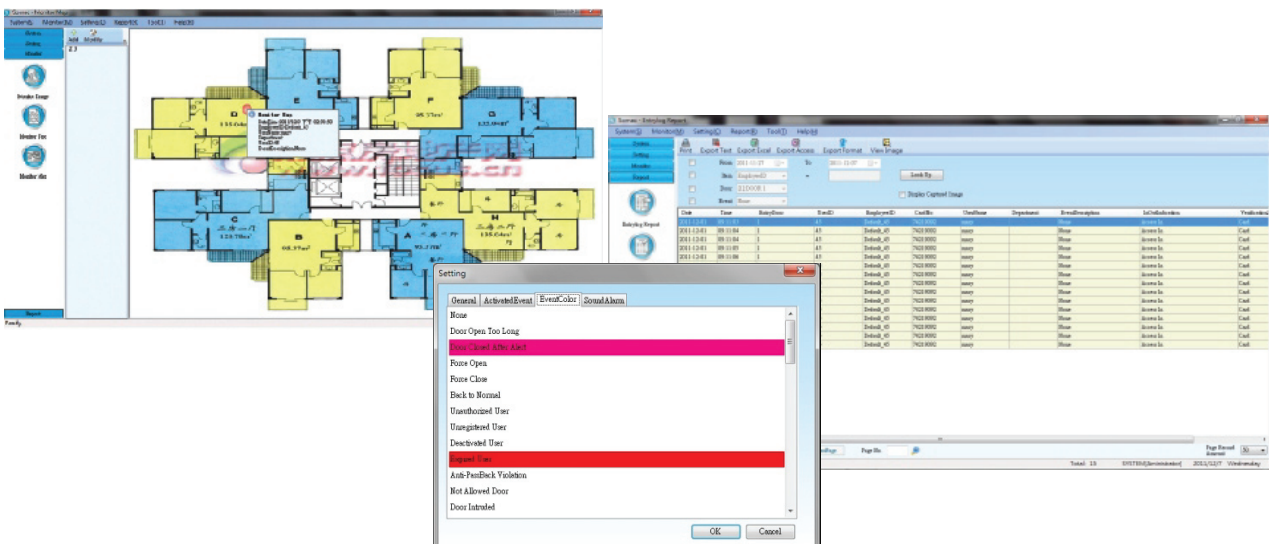
Micro Access C is a robust management software designed specifically for managing MX60 series controllers. It provides an intuitive user interface, making it easy for system operators to handle daily tasks, including managing MX60 series terminals, users, event logs, and reports. Micro Access C contain modules below:



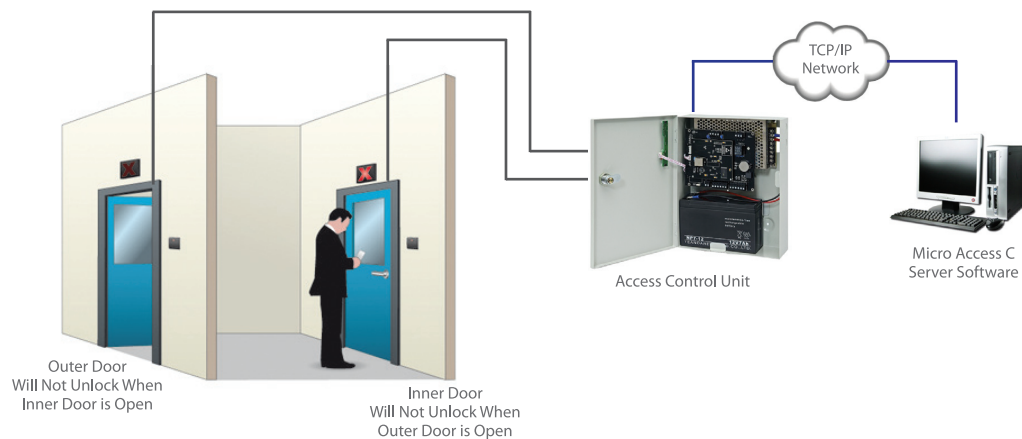
Key Features of Micro Access C:

- Server & Client architecture allowing multiple clients to access the server simultaneously.
- Advanced capabilities such as multi-badge access, user grouping, and colorful event logs.
- Real-time monitoring via image or text mode, E-map integration, and remote control functions.
- Customizable access reports tailored to specific needs.
- Multiple management interface options to suit different operator preferences.
- Email alerts for real-time notifications.

Micro Access C simplifies system management with a comprehensive suite of tools, ensuring efficient operation and monitoring of all MX60 series controllers.



Powerful Access Control Module



Multi-Door Interlocking

- For environmental or safety control for preventing tailgating, normally use for dark room, clean room, X-ray or other treatment room.
- Support up to 8 doors interlocking.
- All doors are normally closed and lock. Opening any door causes the other doors to lock until the opened door returns to closed position.
- The first door must be completely closed after granting the access in order for the user to be granted access on the second door.

Remote control to open / close door

- All doors can be remotely opened or closed from the software.

Time Set / Time Zone / Group setting

- Support up to 255 time set, 120 time zone and 255 access group.
- Holiday / Function Key / Ring setting.
- 100 sets of holidays, 400 sets of function key and 30 sets Ring time setting.

Multiple badges access

- Allow 2 or 3 user badge cards together to open the door.

Anti-pass back / Anti-duress support

- Antipassback is to prevent the card holder from passing his card to another person to gain entry into the same controlled area.
- Micro Access C can support both local antipassback and global antipassback.

Event trigger alert

- Customize email, sound alerts or trigger relay output when certain door events are triggered.

Various types of the report

- Reports for access, attendance, guard touring and car park can be exported to excel / text format.

E-map support for control area

- Software allows you to insert graphical floor maps with configured animated icons for easy and instant tracking of door activity.

Real time E-Map monitoring / Text monitoring / Image monitoring

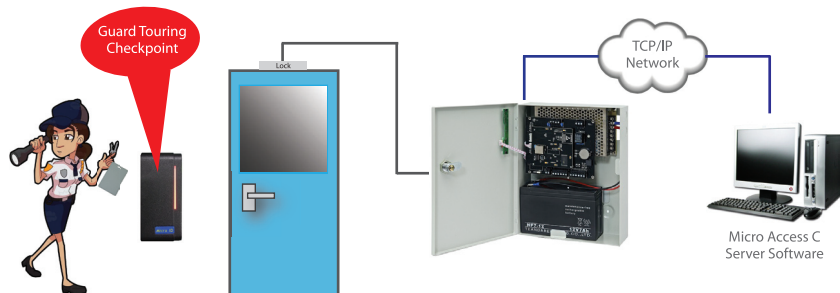
- Real-time alarm or event logs to ensure all events are completely documented for the entire system.
- Multiple workstation monitoring capabilities.

Time Attendance Module



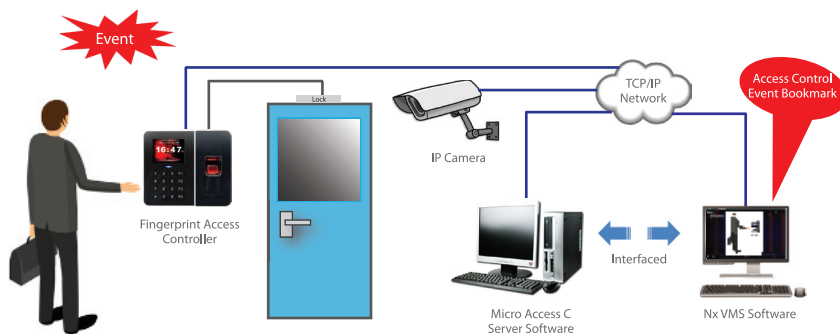
- Cost effective: Access control system can be utilized as T/A management system with no additional cost.
- Individual access data can also be used as Attendance record data.
- Support day/night/cross day shift. Over time calculation.
- Status display: absence/late in/early out. Holiday definition.
- Daily, Monthly, Detail, First In Last Out report.
- Personnel leave management (Sick / Official / Maternity).
- Export T/A report to excel / text format.

Guard Tour Module



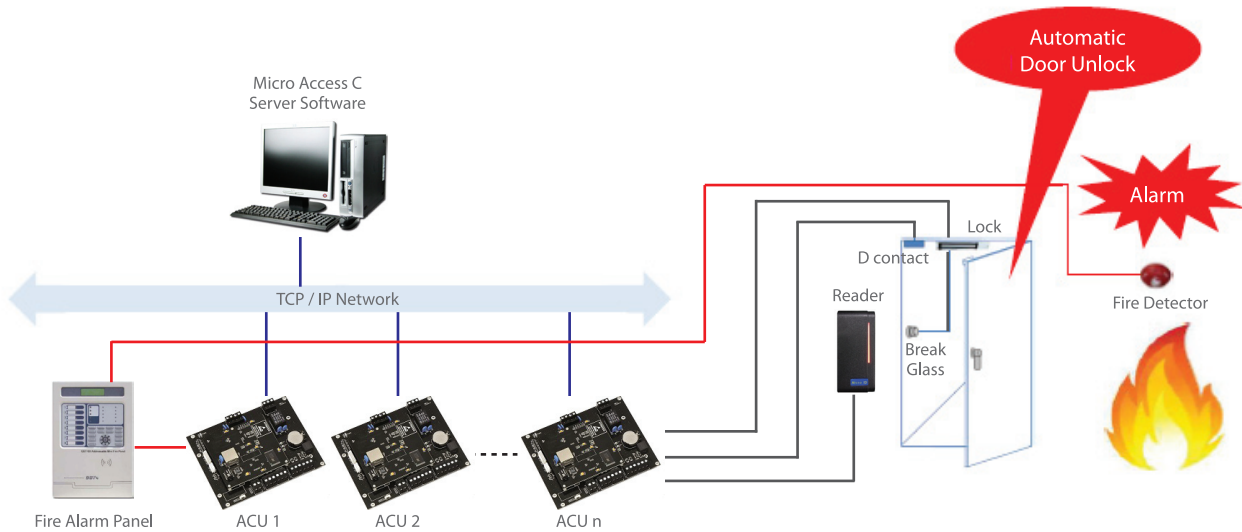
- Micro Access C can be utilized as a Guard Tour System with no additional cost.
- Additional information such as patrol point or time can be configured and monitored from software.
- The data can be used to generate guard tour report and exported to excel / text format.

Video Surveillance Module

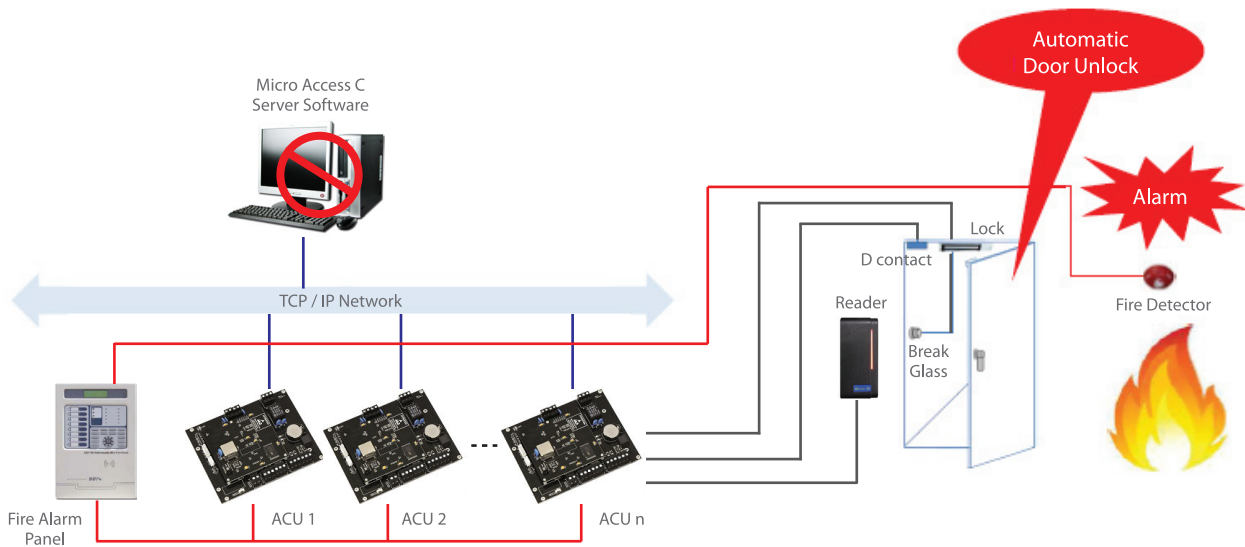


- MX60 Access Control System is integrated with Nx VMS system for record purpose.
- Save time and allow you to react fast with advance search thru event bookmark on Nx Witness system.
- Easy to monitor the Abnormal Event via multiple video pop-up, sound alert and email alert.
- Multiple camera settings, per door, location and building, can be fully controlled/monitored from software.
- Nx license is not included and need to purchase separately.

Fire Alarm Module

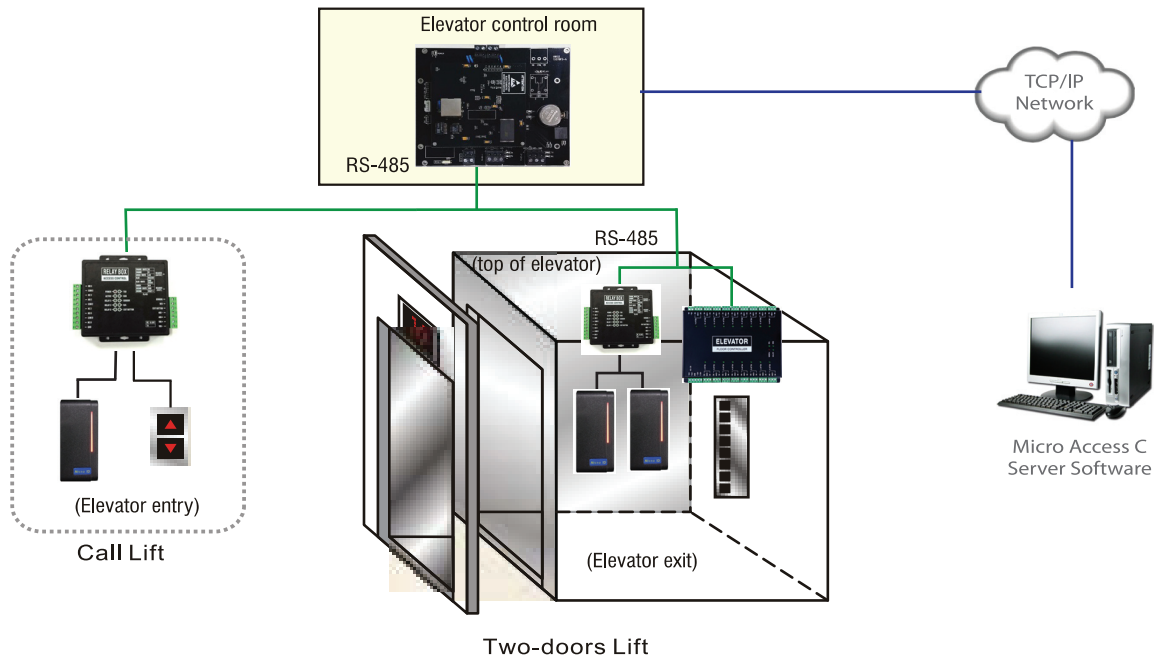


- Fire Alarm in Micro Access C Software (when Network is Active).
- Fire alarm group setup to set which controller will open when fire alarm trigger.
- Convenient and cost effective with less wiring.
- Fire alarm signal connect to one of the controllers.
- When fire detector detect fire occur -> alarm signal sends to alarm panel -> alarm panel send signal to links controller -> controller send fire alarm signal to system software -> system software sends out alarm to all controller -> all door programmed to be open.



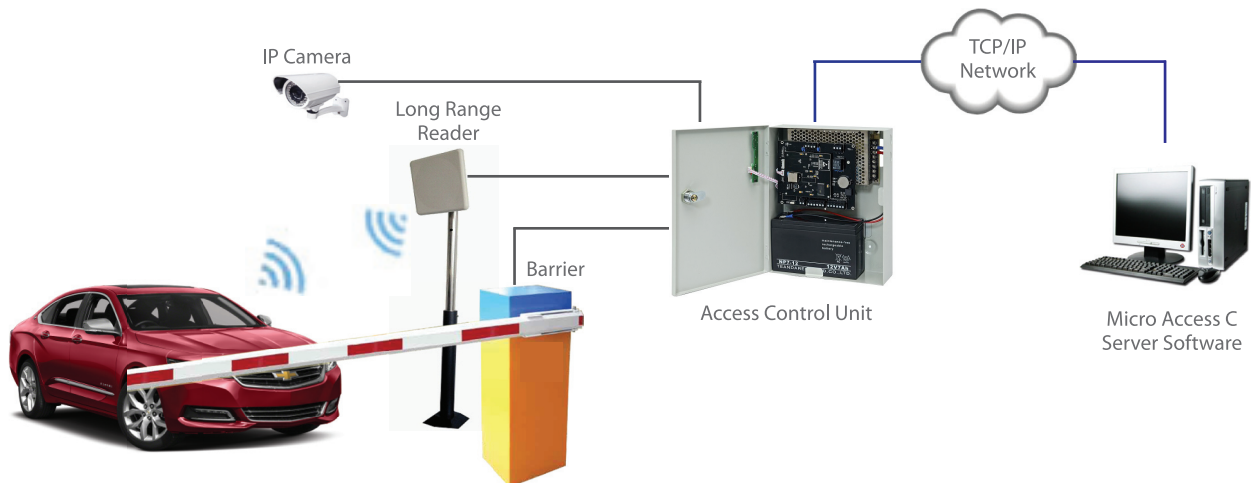
- Direct hardwire connection from fire alarm to controller
- In case network unstable, utilize the one-to-one hardwire connection method.
- Fire alarm panel and controller will be connected directly. Fire alarm will be transmitted to controller regardless of system server or network error.
- All door can be configured to unlock automatically when receive from alarm signal.
- When fire detector detect fire occur -> alarm signal sends to alarm panel -> fire panel send alarm signal to all linked controller -> all door to be open.

Lift Access Control Module



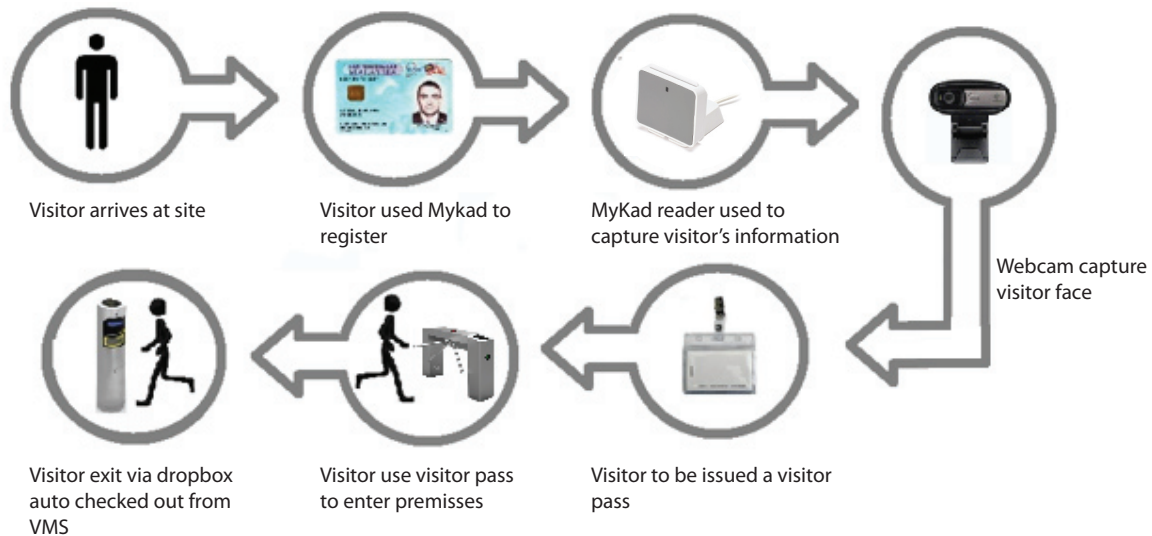
- Hall Calling setting up to 7 floors.
- Lift Selection manage up to 128 floors with 8 units MX60F relay board.
- Access authority can also be managed / modified per group or per user.
- Access authority for floor can be setup / released based on corresponded time schedule.

Car Park System Module



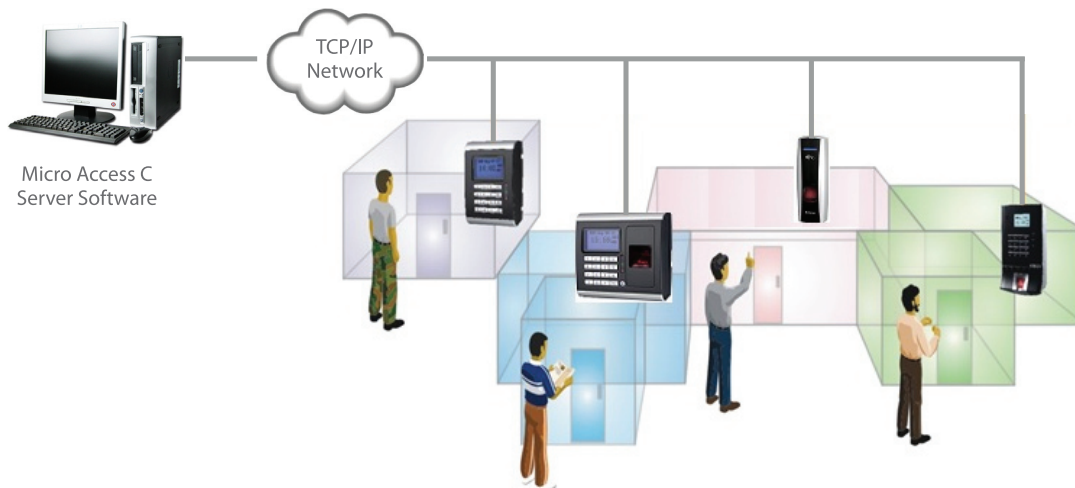
- Access control for both user and vehicle can be managed from a single system.
- Vehicle in / out tracking can be efficiently managed by integrating with barrier gate and loop detector.
- Selectable terminals for car park management.
- Search access in / out records by date / items / terminal ID.
- Print, extract access records in text / excel format.
- Car access image can be taken via IP camera and shown in software.
- Support UHF Long range reader or ANPR car plate recognition.

Visitor Management System Module



- Utilize a MyKad reader to automatically extract and input visitor detail or manual entry of visitor details for those without MyKad.
- Reduced contact time between visitor and entry point which will eventually reduce waiting time on queue.
- Visitors information will be extracted from the Mykad for future reference.
- Able to blacklist visitors from entering premises (due to previous incidents such as theft).
- Notify security or entry personnel when a blacklisted individual attempts to enter.
- Generate detailed reports on visitor entries, including timestamps, purposes of visit, and any notable incidents.

Zone Management Module



- Personal tracking can be built and operated with minimal cost by install in & out reader at every door.
- Hands free personnel tracking system can be built by using long range RFID reader.
- Reader detecting time and the current location of each individual can be track from software.
- Option sound alert when abnormal event.
- Different types of report can export to excel/text format: Detail access report, Currently-in report, Stay time summary report, Stay time detail report, Abnormal report.