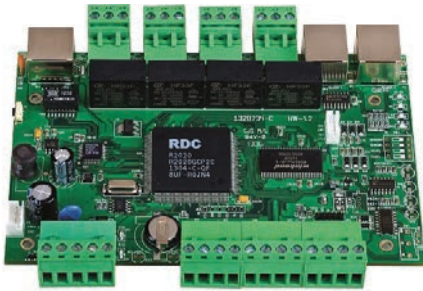




# MX60M Multi-Door Network Access Controller

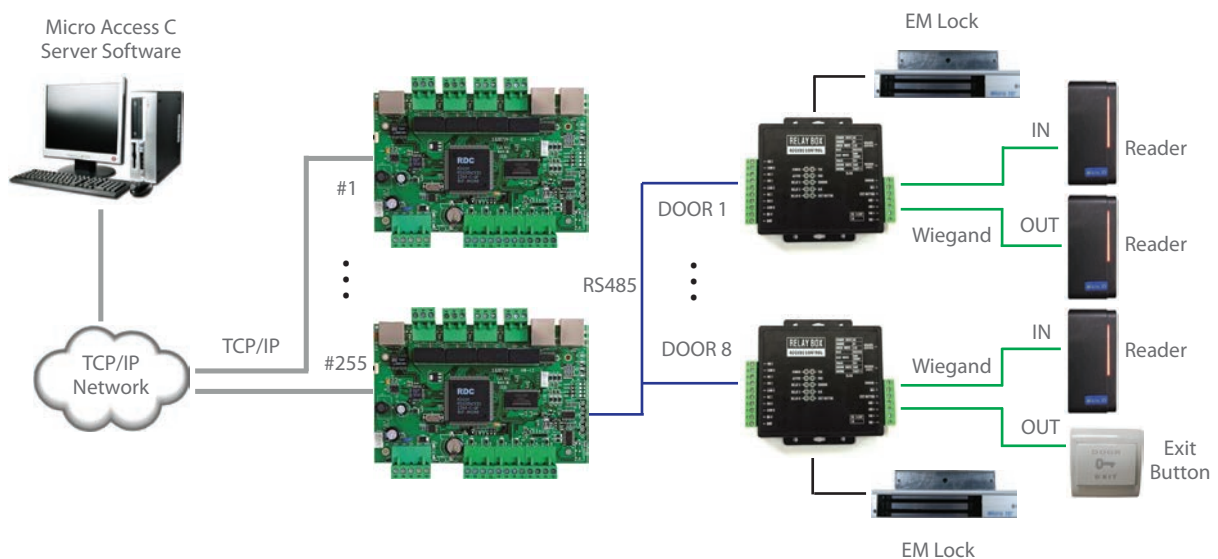


- Web based management
- Single door controller and also can manage up to 8 doors control panel by connect to MX60R
- Panel size design access control panel for installation flexibility
- Up to 20,000 user cards holder's capacity
- Store up to 65,535 events history
- 5 different ID (Super User/Normal User/Visitor/Security/Patrol Guard) configuration for different access authorization
- 4 different Group can be assigned to each user
- Antipassback / Anti-Duress / Multiple Badge group
- Fire alarm and event handle with email alert
- Remote control for emergency door open/close
- Can use for both door access and car park system
- Time set / time zone / group / holiday setting
- Sales Code: XL-MX60M-001

## Specification:

Control Doors	8 Doors (MX60R Required)	Tamper Switch	1
Verification Mode	10 types combination of card and password	Transmit Distance	RS485-1km, TCP/IP-100m, WG-80m
Double Badges	10 sets (2-3 employee/set)	Communication	RS485, TCP/IP
User Type	5 types (normal user/super user/visitor/guard/defense)	Holiday Setting	100
Capacity	20,000 (50,000 extendable)	Time Setting	255
Log Data	65,353	Time Zone Setting	120
System Log	1,500 entries	User Group	255
WG Input	WG26 / WG34 bits	Power	9-24v
Emergency Door Release	Yes	Operation Temperature	0-65 °C
Built-in Relay	4 (30V-3A)	Operation Humidity	5-95 %
Built-in Sensor	2	Dimension (mm)	143 x 93 x 21
Built-in Exit Button	2	Weight (g.)	160
Reset Button	1	IP Camera Integration	HIK, DAHUA IP Camera

## MX60M Access Control Layout Diagram





# MX60R Relay Board

Compatible with MFBio/ MF60 / MX60M, you can use MX60R for single or multiple doors control structure. It can use to detect door sensor is short circuit or open circuit. MX60R support 2 Wiegand inputs which can use for any brand of Wiegand reader. The RS485 communication control relay for providing the high security level. In emergency mode, when controller is disconnected, exit button still could have function.



- Wiegand input: 2 (WG26/34 Auto detect)
- Communication Interface: RS-485
- Watch Dog: System halt prevention
- Door Relay (Relay D): 1 (3A / 30 VDC)
- Alarm Relay: 2 (3A / 30 VDC)
- Dry contact for Exit Button: 1
- Dry contact for Sensor Self-detecting: 1
- Maximum RS-485 distance: 1000 m
- Maximum distance for Wiegand: 80 m
- Rated Power: 9-24V DC
- Rated Current: 200 mA ~ 400mA
- Operation Temperature: 0°C ~ 55°C
- Storage Temperature: -20°C ~ 70°C
- Storage Humidity: 5% ~ 85% RH
- Dimension: 106 x 100 x 26.5 mm
- Weight: 140 g
- Sales Code: XL-MX60R-001

## MX60M with MX60R Layout Diagram

