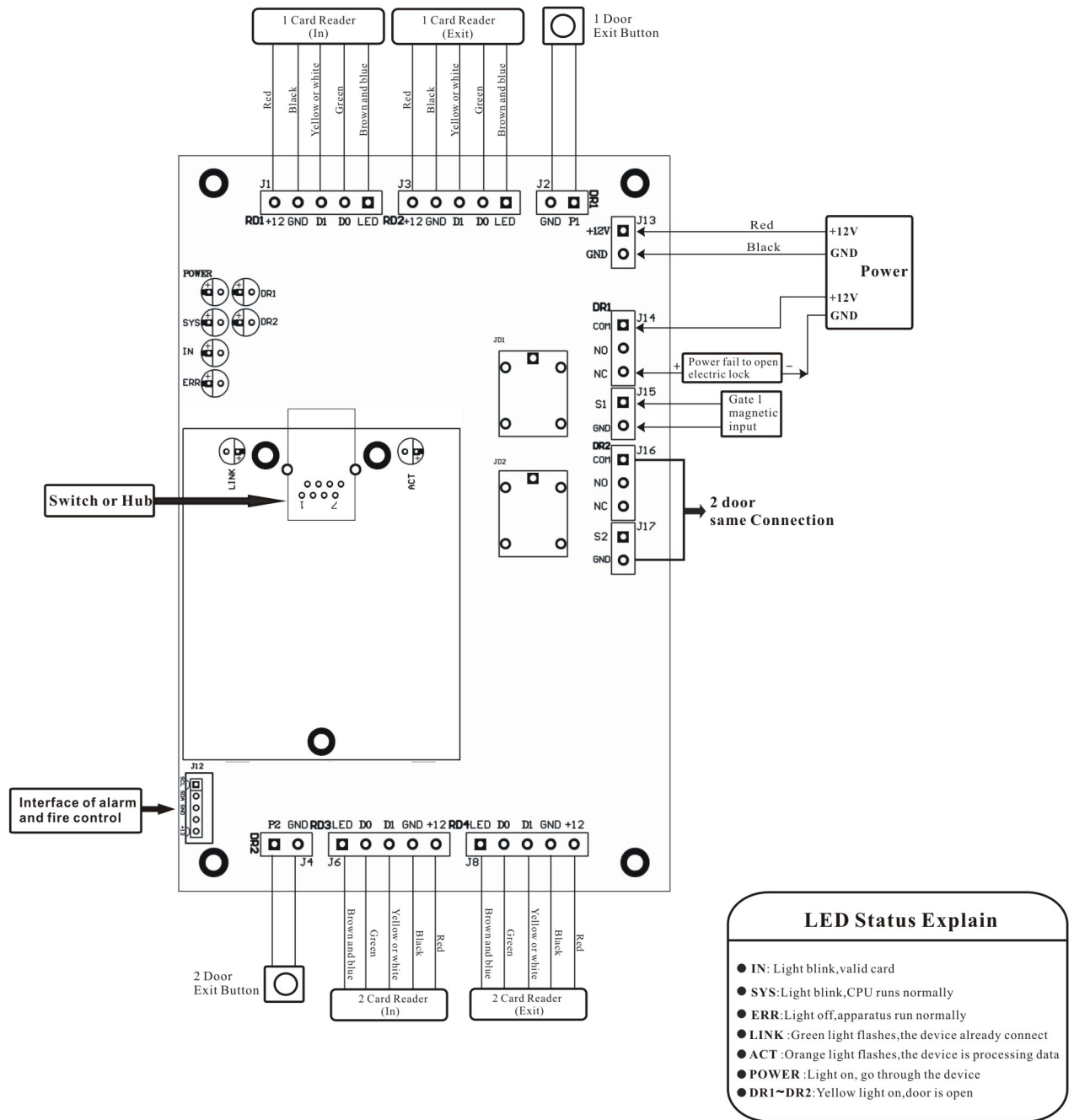


Double Door Access Controller Wiring Diagram (TCP/IP Communication)



Wiring standard

(Even the connection distance is very short, it must be implemented according to the following requirement)

✦ 220V AC Power cable:

Three-wire power supply, the cross-sectional area 1.0mm² or more. It's required that power supply must be grounded to prevent from power interference

✦ The line of electric lock to controller:

It's recommended to use two-wire power line, the cross-sectional area 1.0mm² or more. If the distance over 50 meters, it's considered to use thicker line or multiple parallel

✦ TCP/IP Communication Line:

Network cable

✦ The card reader, door sensor and button line:

Can use network cable or others